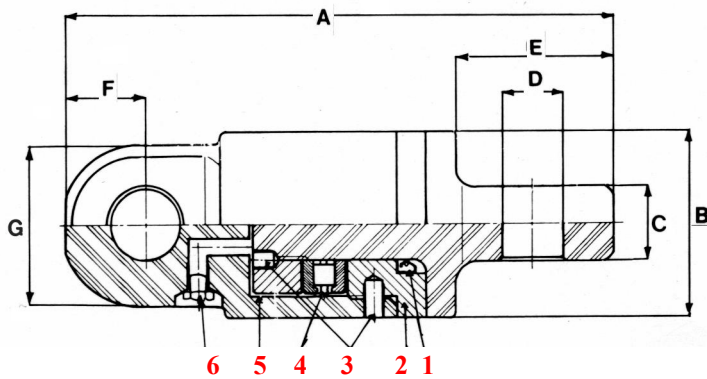
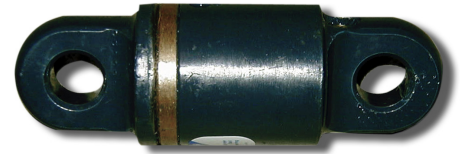


DREJELED – STÅL MED KONISK TRYK RULLELEJE

SWIVELS – STEEL WITH TAPERED ROLLER THRUST BEARING



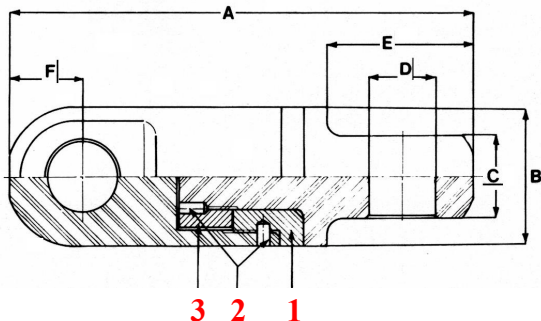
1. Tætningsring / Oil seal
2. Bronze bøsning / Bronze bushing
3. Låseskruer / Lock screws
4. Rullelejer / Roller bearing
5. Fedt lager / Grease reservoir
6. Smøreanordning / Grease fitting



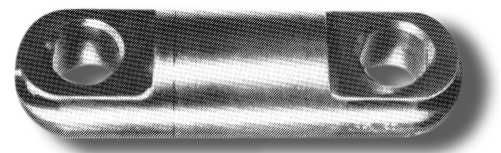
Best. nr.	A	B	C	D	E	F	G	Swl	Brud	Vægt
Order no.	A	B	C	D	E	F	G	Swl	Break load	Weight
	mm	inch	mm	mm	mm	mm	mm	Tons 1:5	Tons	Kg/PCs
A401	126	43	16	15	36	18	35	1,0	5,0	0,60
A402	157	54	20	20	45	22	45	2,0	10,0	1,50
A403	189	65	27	26	55	28	55	3,0	15,0	2,50
A405	220	70	33	30	64	33	60	5,0	25,0	3,90
A408	250	85	42	34	73	39	75	8,0	40,0	6,80
A412	295	95	50	41	86	45	86	12,0	60,0	10,80
A417	395	120	57	52	113	55	108	17,0	85,0	22,30
A422	435	131	60	52	118	63	118	22,0	110,0	29,70
A432	500	160	65	59	132	73	140	32,0	160,0	45,00

DREJELED – RUSTFRI STÅL MED KONISK TRYK RULLELEJE

SWIVELS – STAINLESS STEEL WITH TAPERED ROLLER THRUST BEARING



1. Bronze bøsning / Bronze bushing
2. Låseskruer / Lock screws
3. Fedtlager / Grease reservoir



Best. nr.	A	B	C	D	E	F	Swl	Brud	Vægt
Order no.	A	B	C	D	E	F	Swl	Break load	Weight
	mm	inch	mm	mm	mm	mm	Tons 1:5	Tons	Kg/PCs
A304	169	49	29	26	50	25	4,0	20,0	1,60
A306	197	58	34	30	60	31	6,0	30,0	2,70
A308	224	68	40	34	69	35	8,0	40,0	4,40

Ekstra tillæg: C = Certifikat / Extra add on services: C = Certificate