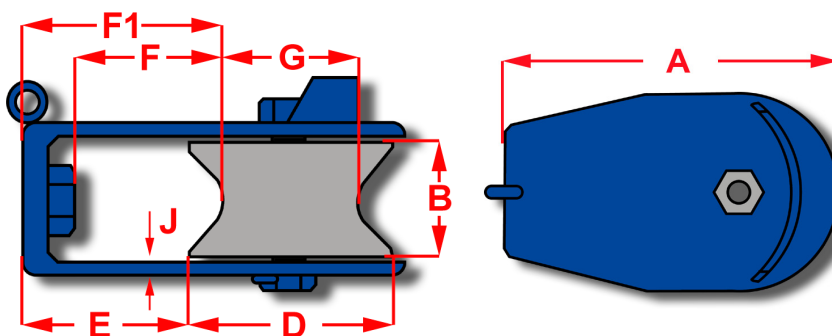
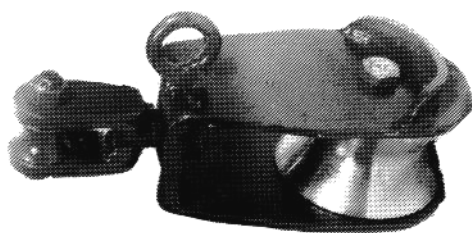
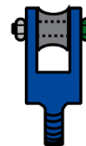


BMM – TRAWLBLOKKE, MED GAFFEL OG BESLAG - BLÅMALEDE

BMM – TRAWL BLOCKS, WITH FORK AND FITTING – BLUE PAINTED



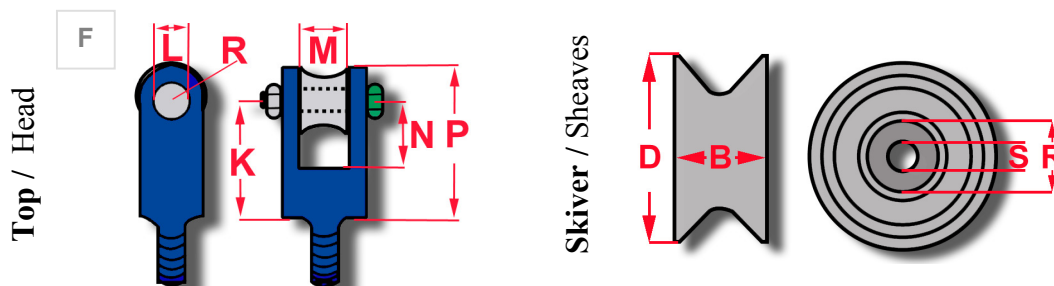
Order no.	A	B	D	E	F	F ₁	G	H	J	SWL	Breakload	Weight
	mm	mm	mm	mm	mm	mm	mm	mm	mm	Ton 1:5	Ton	Kg.
K 130 – ☒FS	240	100	130	110	85	133	125	280	10	4,0	20,0	16,3
K 170 – ☒FS	305	100	170	140	100	163	125	325	10	6,0	30,0	25,5
K 230 – ☒FS	405	120	230	150	110	180	170	415	12	9,0	45,0	59,0
K 300 – ☒FS	475	120	300	170	120	200	240	470	12	11,0	55,0	74,5

Bløkkene skal bestilles med: / Blocks must be ordered with:

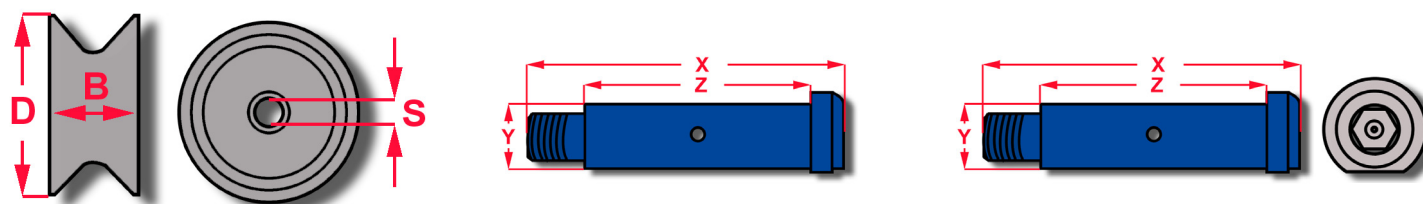
1 Kuglelejer / Ball bearings **Smørbare** / Greaseable **O** Bronzelejer / Bronze bushings **Smørbare** / Greaseable

Ekstra tillæg / Extra add on services

G Galv. / Galv. **H Hærdet Skive** / Flame hardened sheave **C Certifikat** / Certificate



Order no.	K	L	M	N	R	P	Order no.	B	D	R	S	Weight
K 130 – ☒FS	104	23	40	65	30	134	SK 130 – 1	100	130	60	25	5,60
K 170 – ☒FS	104	23	40	65	30	134	SK 170 – 1	100	170	60	25	11,70
K 230 – ☒FS	140	29	52	84	35	175	SK 230 – 1	120	230	80	35	27,00
K 300 – ☒FS	140	29	52	84	35	175	SK 300 – 1	120	300	80	35	29,80



Order no.	B	D	S	Weight	Order no.	X	Y	Z	Weight	Order no.	X	Y	Z	Weight
	mm	mm	mm	Kg.		mm	mm	mm	Kg.		mm	mm	mm	Kg.
SK 130 – 0	100	130	25	5,70	PK 130 – 1	155	25	123	0,70	PK 130 – 0	155	25	123	0,70
SK 170 – 0	100	170	25	12,00	PK 170 – 1	155	25	123	0,70	PK 170 – 0	155	25	123	0,70
SK 230 – 0	120	230	38	27,60	PK 230 – 1	190	35	133	1,50	PK 230 – 0	190	38	133	1,60
SK 300 – 0	120	300	38	30,70	PK 300 – 1	190	35	133	1,50	PK 300 – 0	190	38	133	1,60