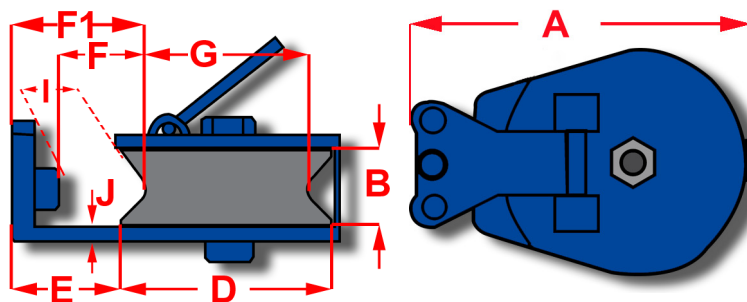
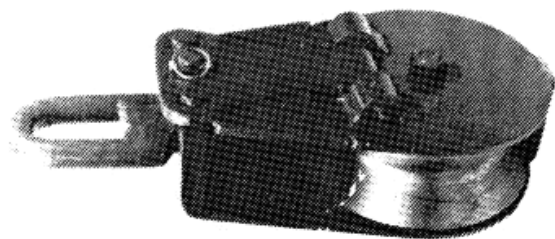


BMM – TRAWLBLOKKE, BLÅMALEDE

BMM – TRAWL BLOCKS, BLUE PAINTED



Order no.	A	B	D	E	F	F ₁	G	I	J	SWL	Breakload	Weight
	mm	mm	mm	mm	mm	mm	mm	mm	mm	Ton 1:5	Ton	Kg.
KO 300 – 1☒	485	120	300	170	125	205	240	90	12	11,0	55,0	69
KO 400 – 2☒	670	180	400	210	175	270	280	125	15	15,0	75,0	187

KO300: Kun med kuglelejer / Are supplied with ball bearings **KO400:** Kun med rullelejer / Are supplied with roller bearings

Blokkene skal bestilles med: / Blocks must be ordered with:

E Swivel øje / Swivel eye

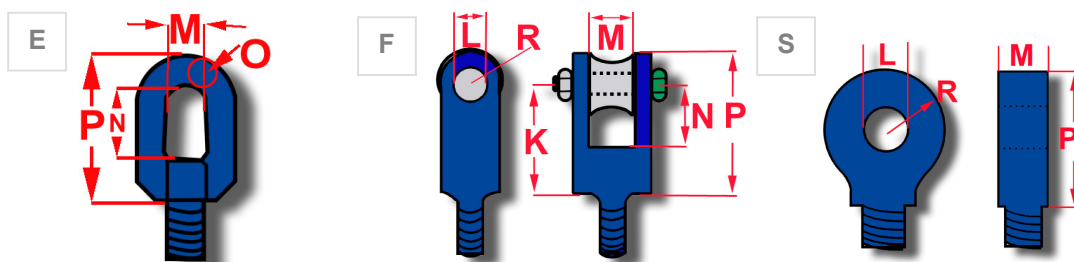
S Swivel sjækkeløje / Swivel shackle eye

F Swivel gaffel / Swivel fork

Ekstra tillæg / Extra add on services

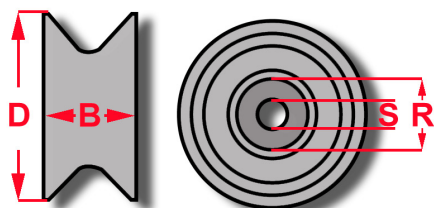
C Testede med certifikat / Tested included certificate **H** Hærdet skive / Flame hardened sheave

Top / Heads

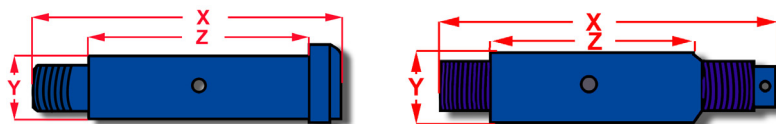


Order no.	M	N	O	P	K	L	M	N	R	P	L	M	R	P
	mm	mm	mm	mm	mm	mm	mm	mm	mm	mm	mm	mm	mm	mm
KO 300 – 1☒	48	105	38	203	140	29	52	84	35	175	36	50	45	115
KO 400 – 2☒	58	110	50	225	195	51	85	115	65	260	51	73	60	145

Skiver / Sheaves



Bolte / Bolts



Order no.	B	D	R	S	Weight	Order no.	X	Y	Z	Weight	Order no.	X	Y	Z	Weight
	mm	mm	mm	mm	Kg.		mm	mm	mm	Kg.		mm	mm	mm	Kg.
SK300-1	120	300	80	35	29,8	PK300-1	190	35	133	1,5	PK400-2	215	60	100	10,0
SK400-2	180	400	140	60	90,0										