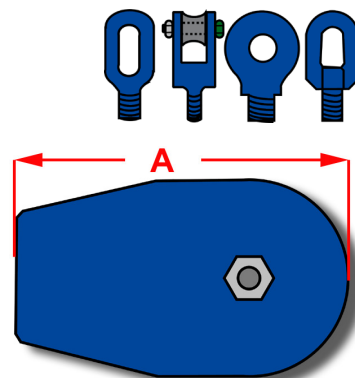
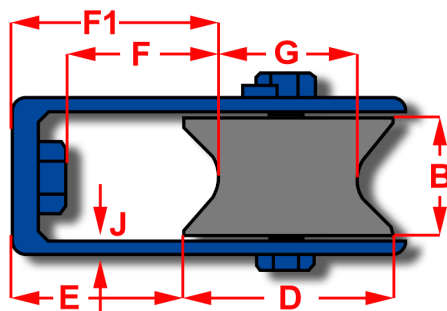


BMM – TRAWLBLOKKE, BLÅMALEDE

BMM – TRAWL BLOCKS, BLUE PAINTED



Best. nr. Order no.	A	B	D	E	F	F ₁	G	J	SWL	Brudstyrke Breaking load	Vægt/stk. Weight/Pcs
	mm	mm	mm	mm	mm	mm	mm	mm	Ton 1:5	Ton	Kg.
K 130 - ☒☒	240	100	130	110	85	133	85	10	4,0	20,0	16,0
K 170 - ☒☒	305	100	170	140	100	163	125	10	6,0	30,0	25,0
K 215 - ☒☒	355	100	215	132	110	165	164	10	6,0	30,0	32,0
K 230 - ☒☒	405	120	230	150	110	180	170	12	9,0	45,0	45,0
K 240 - ☒☒	420	150	240	190	140	220	170	10	9,0	45,0	58,0
K 300 - ☒☒	475	120	300	170	120	200	240	12	11,0	55,0	73,0
K 370 - 1☒ *	580	140	370	240	140	285	285	12	13,0	65,0	128,0
K 400 - 1☒ *	670	180	400	245	210	305	280	15	15,0	75,0	145,0
K 600 - 1☒ *	910	180	600	310	225	380	480	20	30,0	150,0	360,0

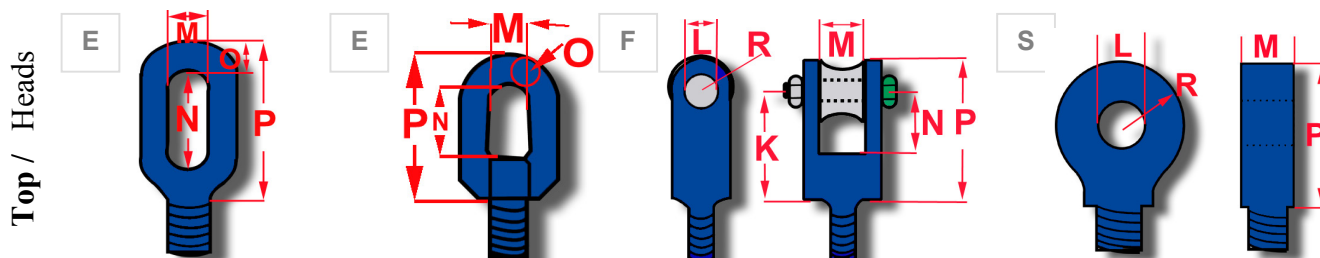
*K370 – 1 Kun med kugleleje / Only with ball bearing * K400–2 /K600-2 Kun med rulleleje / Only with roller bearing

Blokkene skal bestilles med: / Blocks must be ordered with:

- | | | |
|----------------------------------------|------------------------------|-------------------------------------------------|
| 1 Kuglelejer / Ball bearings | Smørbare / Greaseable | S Swivel sjækkeløje / Swivel shackle eye |
| O Bronzelejer / Bronze bushings | Smørbare / Greaseable | F Swivel gaffel / Swivel fork |
| E Swivel øje / Swivel eye | | |

Ekstra tillæg / Extra add on services

G Galv. / Galv. C Testede med certifikat / Tested included certificate H Hærdet Skive / Flame hardened sheave



Order no.	M	N	O	P	M	N	O	P	K	L	M	N	R	P	L	M	R	P
K130 - ☒☒	33	82	24	134					104	23	40	65	30	134	23	30	35	93
K170 - ☒☒	40	95	28	153					104	23	40	65	30	134	29	42	40	100
K215 - ☒☒	40	95	28	153					104	23	40	65	30	134	29	42	40	100
K230 - ☒☒					48	100	32	192	140	29	52	84	35	175	36	50	45	115
K300 - ☒☒					48	105	38	203	140	29	52	84	35	175	36	50	45	115
K370 - ☒☒					58	110	50	220	165	39	70	103	50	215	39	56	55	137
K400 - ☒☒					58	110	50	225	195	51	85	115	65	260	51	73	60	145
K600 - ☒☒					78	155	70	335	230	58	90	140	75	305	106	100	110	235