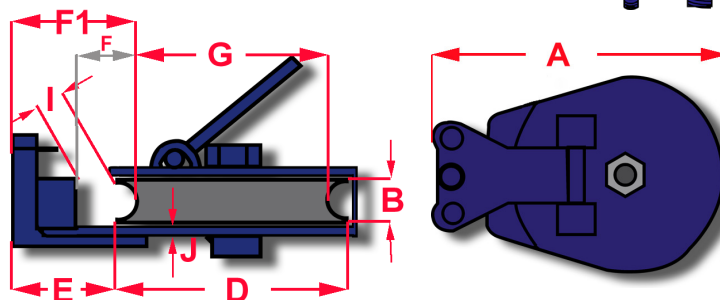
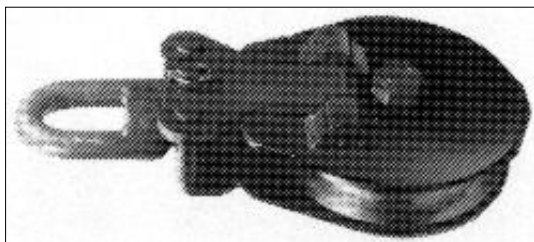
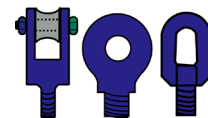


BMM – KASTEBLOKKE, BLÅ MALEDE MED RULLEJEJE "2"
BMM – SNATCH BLOCKS, BLUE PAINTED WITH ROLER BEARINGS "2"



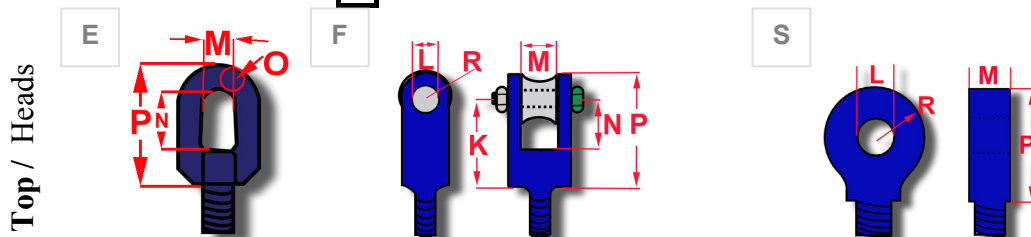
Best. nr. Order no.	A	B	D	E	F	F ₁	G	I	J	SWL	Brudstyrke Breaking load	Vægt/stk. Weight/Pcs
	mm	mm	mm	mm	mm	mm	mm	mm	mm	Ton 1:5	Ton	Kg.
KS230 – 2☒	380	57	230	120	70	140	195	42	8	7,0	35,0	31,0
KS300 – 2☒	440	66	300	130	70	150	260	45	10	10,0	50,0	51,0
KS400 – 2☒	595	70	400	180	105	210	345	70	12	15,0	75,0	106,0

Blokkene skal bestilles med: / Blocks must be ordered with:

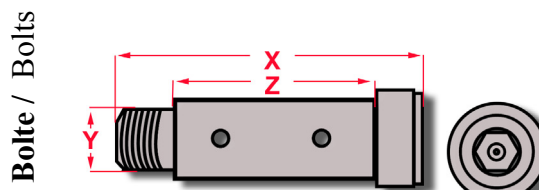
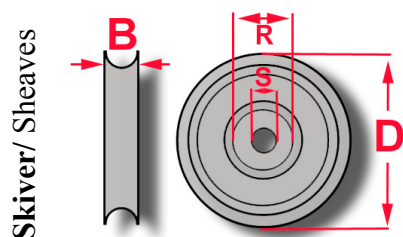
E Swivel øje / Swivel eye **F** Swivel gaffel / Swivel fork **S** Swivel sjækkeløje / Swivel shackle eye

Ekstra tillæg / Extra add on services

H Hærdet skive / Flame hardened sheave **C** Testede med certifikat / Tested with certificate



Order no.	M	N	O	P	K	L	M	N	R	P	L	M	R	P
	mm	mm	mm	mm	mm	mm	mm	mm	mm	mm	mm	mm	mm	mm
KS230 – 2☒	40	95	28	153	104	23	40	65	30	134	29	42	40	100
KS300 – 2☒	48	105	38	203	140	29	52	84	35	175	36	50	45	115
KS400 – 2☒	58	110	50	225	195	51	85	115	65	260	51	73	60	145



Article	B	D	R	S	Weight	Article	X	Y	Z	Weight
	mm	mm	mm	Mm	Kg.		mm	mm	mm	Kg.
SKS 230-2						PKS 230-2				
SKS 300-2	66	300	100	45	18,20	PKS 300-2	140	45	79	1,90
SKS 400-2	70	400	128	60	35,00	PKS 400-2	217	60	120	8,00